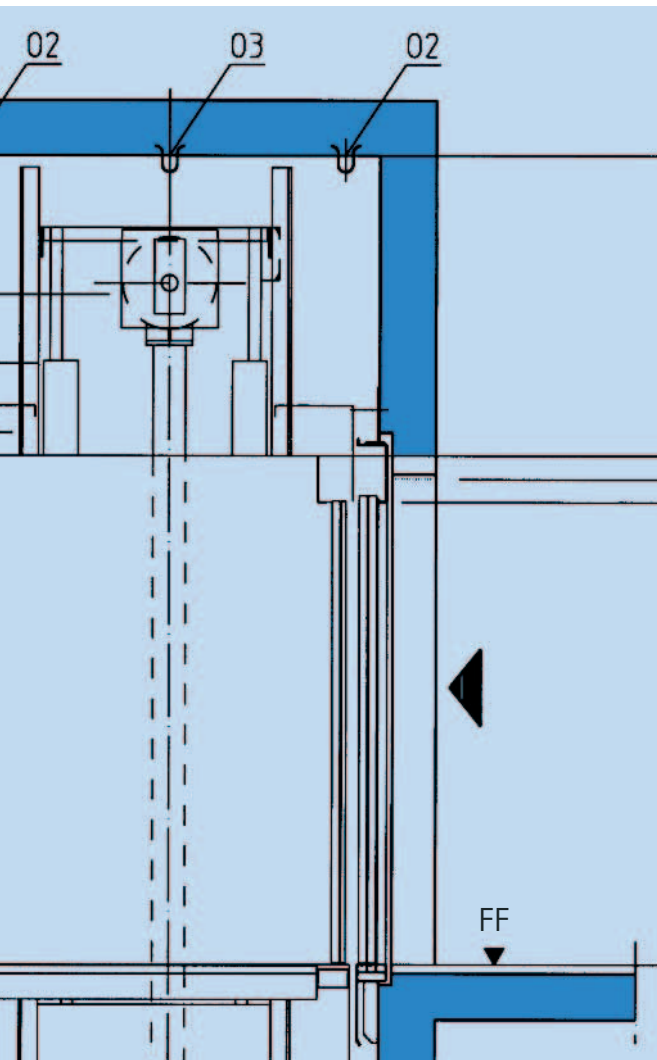


Project Planning Hydraulic Elevator NH31.

Rated Load 320–1050 kg.



A Company
of ThyssenKrupp
Elevator

ThyssenKrupp Aufzüge



ThyssenKrupp

Hydraulic Elevator NH31 – Simply Better.

Facts, Data and Dimensions.

The indirectly hydraulically driven standard passenger elevator “NH31” with variable machine room has been designed for simple passenger service in residential buildings, medium-sized commercial buildings and hotels.

The indirect hydraulic drive via ropes moves standardized elevator cars with rated loads of 320, 450, 630 or 1000 kg at a speed of up to 0.63 m/s. The two large elevator cars are also available with open through and a rated load of 675 or 1050 kg.

The standard equipment of our elevator installations

implies the efficient, proven and convenient S8/K8 doors as two-part telescopic sliding doors in left-hand execution. However, they are also available in right-hand execution. The width of the doors for the smallest elevator is 800 mm, the doors of all the other elevators can be either 800 or 900 mm in width. And to complete the range, you can select between the installation of the landing doors on the landing in a recess or entirely in the shaft.

The following shaft ground plans and vertical sections show the door openings with gaps between the wall soffit or lintel

and door frame which can be filled by means of concreting or plastering and thus easily be made to fit the wall plastering of the building. However, you can also use wall frames in the case of altered dimensions. You will find more details in our project planning document “Door openings”.

Please find information on the overall design of elevator installations in our separate planning information.

Should your requirements or demands exceed the following range, please contact one of our experienced consultants.

Abbreviations:

A	= right-hand door soffit
CD	= car depth
CW	= car width
DW	= door width
FF	= finished floor
MR	= machine room
MRD	= machine room depth
MRH	= machine room height
MRW	= machine room width
Q	= rated load
R	= recess
SD	= shaft depth
SP	= shaft pit
SW	= shaft width
UF	= unfinished floor

Dimensions:

The dimensions indicated are finished measures if not stated expressly.

Machine room dimensions

The machine room dimensions stated are approximate values! They may vary depending on additional technical or constructional conditions. Precise dimensions can be calculated by Thyssen Aufzüge.

Occurring forces

The forces P7–P10 never occur simultaneously!

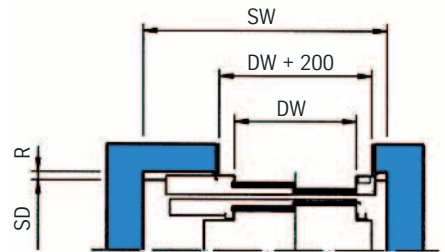
Q [kg]/ [pass.]	open through	DW [mm]	door recess			SW [mm]	A [mm]	CD [mm]	CW [mm]	meas. in acc. with DIN 18024/25
			R [mm]	SD [mm]	SD [mm]					
320/ 4	no	800	55	1460	1515	1500	100	800	1000	
450/ 6	no	800	55	1700	1755	1500	100	1200	1000	
		900				1650	100			
630/ 8	no	800	55	1800	1855	1600	100	1400	1100	
		900				1650	100			
675/ 9	yes	800	55	1930	2040	1600	100	1400	1100	
		900				1700	100			
1000/ 13	no	800	55	2500	2555	1600	100	2100	1100	
		900				1650	100			
1050/ 14	yes	800	55	2630	2740	1600	100	2100	1100	
		900				1650	100			

Occurring forces [kN]		Q [kg]	320	450	630/675	1000/1050
P7	Shaft pit floor (guide rails)		19	20	23	28
P8	Shaft pit floor (car buffer)		56	61	72	94
P10	Shaft pit floor (ram assembly)		46	49	56	69
P11	Shaft wall (guide rail bow)		±2,8	±3,4	±4,4	±6,0
01	MR-ceiling (hoisting ring for pump unit)		7	7	7	7
02	Shaft ceiling (hoisting ring for doors)		3	3	3	3
03	Shaft ceiling (hoisting ring for jack/ram assembly)		12	12	16	16

Hydraulic Elevator NH31 – a Cut Above. Shaft Ground Plans.

With open through

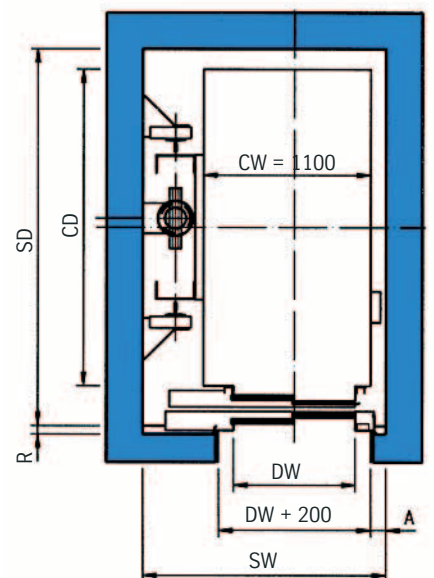
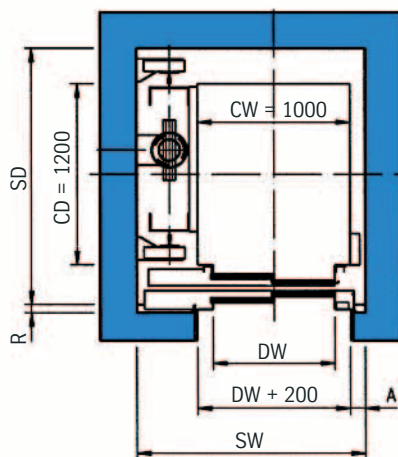
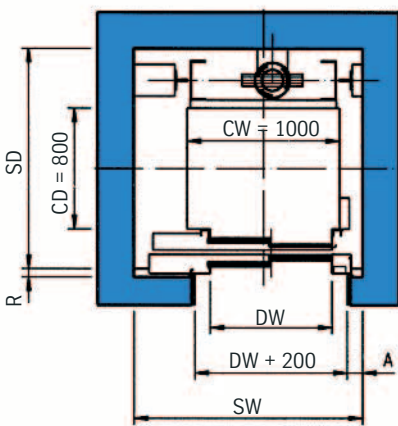
675 kg / 9 passengers
1050 kg / 14 passengers



320 kg / 4 passengers

450 kg / 6 passengers

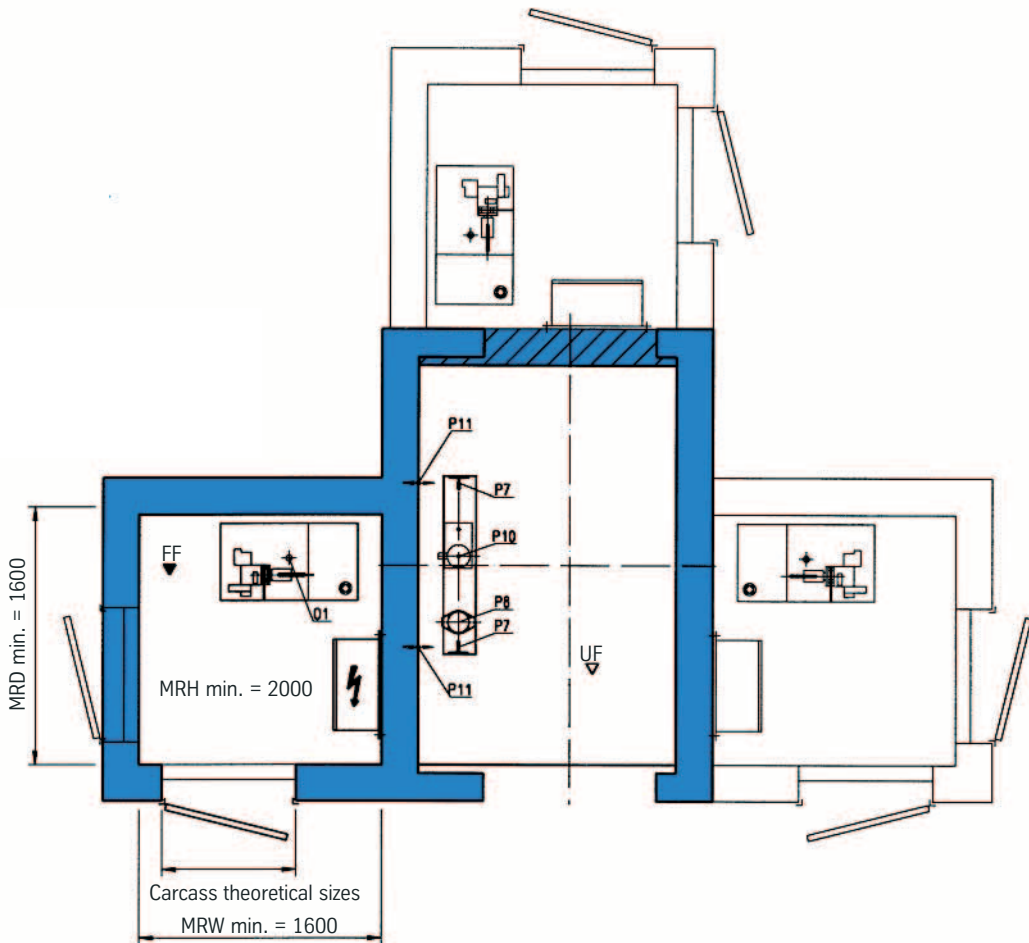
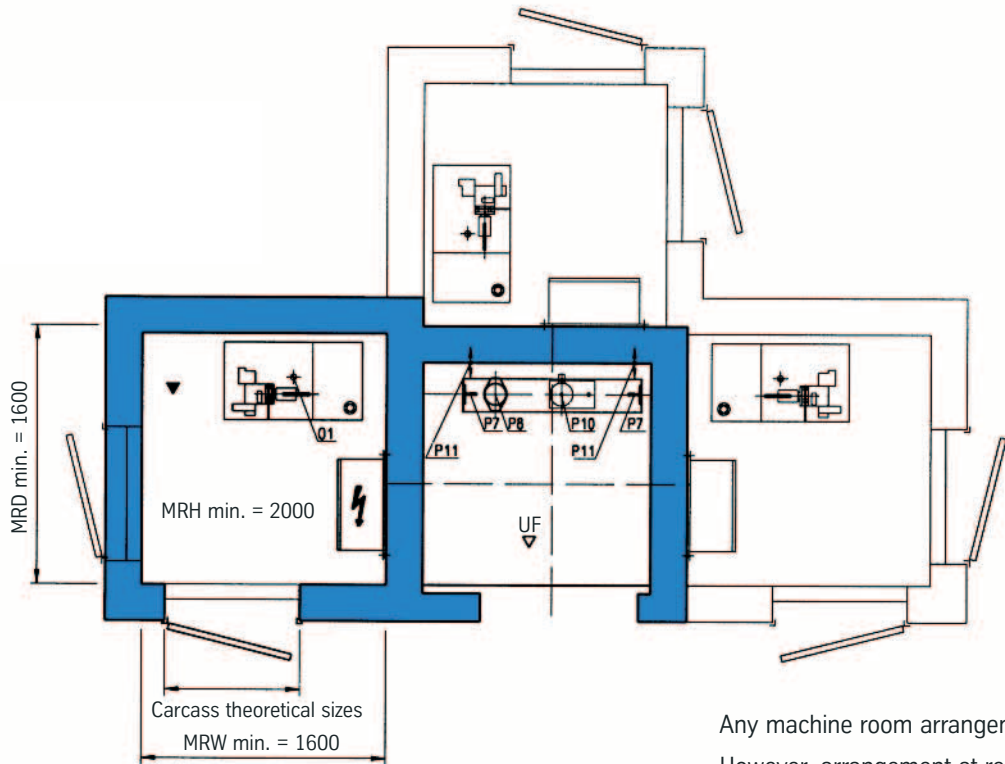
630 kg / 8 passengers
1000 kg / 13 passengers



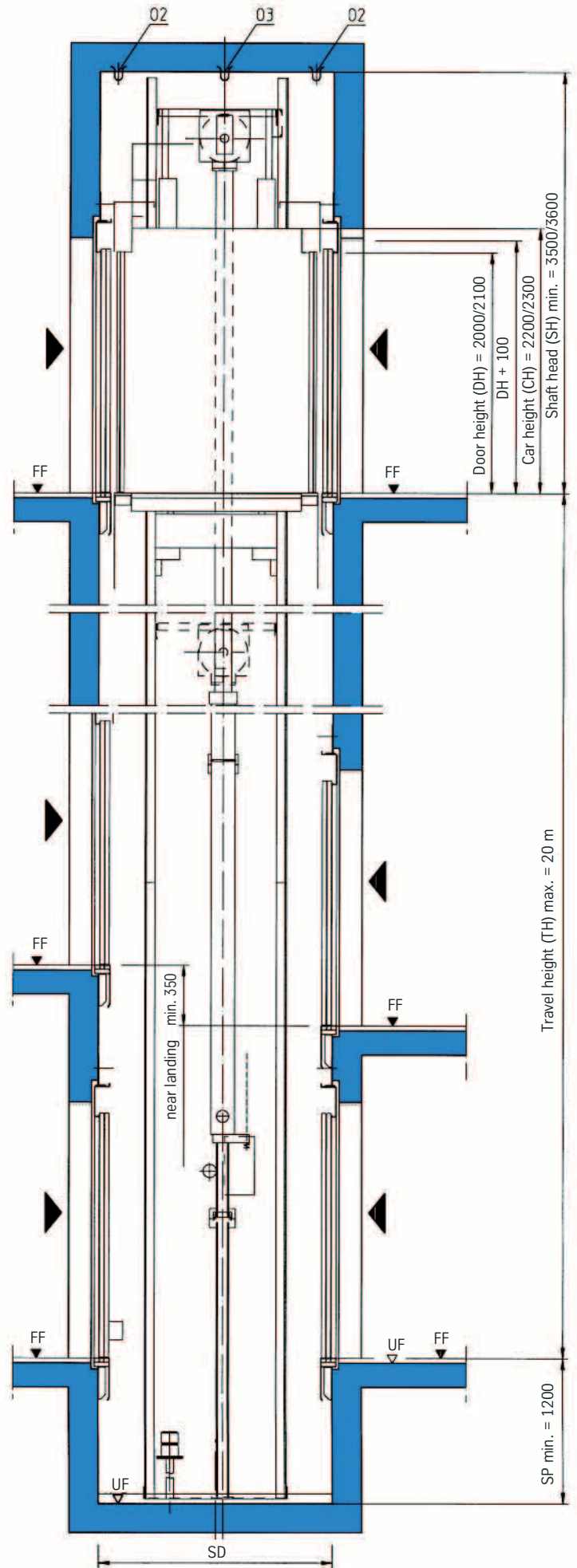
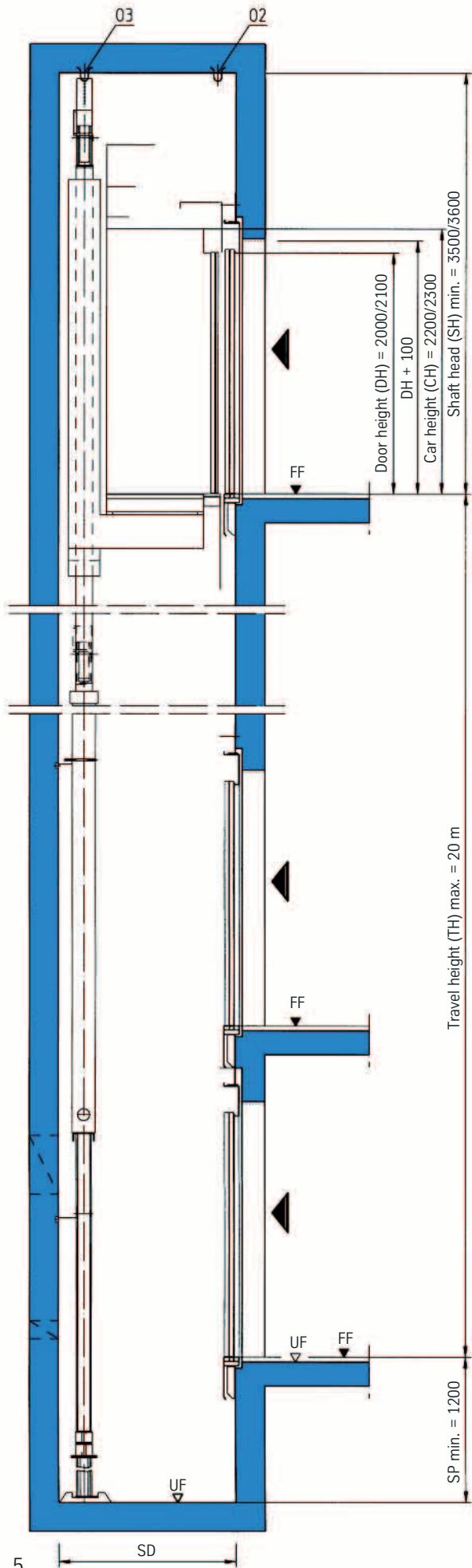
Hydraulic Elevator NH31 – a Cut Above.

Constructional and Machine Room Ground Plans.

Rear Jack, Lateral Jack.



Hydraulic Elevator NH31 – Rising to the Top. Vertical Section, Rear Jack, Lateral Jack.



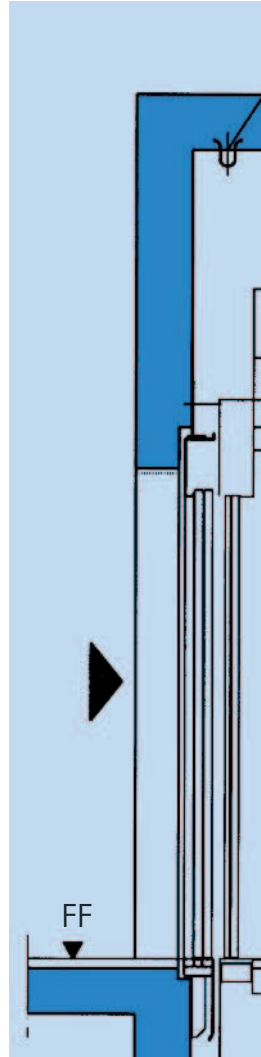
For additional general information as well as planning and project data please see

Planning information:

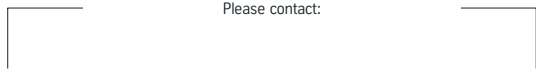
- Passenger- and freight elevators (9700 000 1530)

Project planning documents:

- Door openings – comfort door S8/K8 (9700 000 1534)



Please contact:



ThyssenKrupp Aufzugswerke GmbH

A Company of ThyssenKrupp Elevator

P.O. Box 23 03 70, D-70623 Stuttgart, Germany

Telephone: +49 (0) 71 58 12-0, Telefax: +49 (0) 71 58 12-25 85

E-mail: info@aufzuege.thyssen.com, Internet: www.thyssen-aufzuege.com